

# BOLD

Conical Burr  
Coffee Grinder

---

User Manual



## 01 Contents

02 Introduction	P3
03 Important and Safety Instructions	P3-4
04 Product Description and Part Lists	P5-6
05 Operating Instructions	P6-7
06 Grinding Level Settings	P8
07 Timer Settings	P8
08 Cleaning and Maintenance	P9-10
09 Technical Specifications	P10
10 Warranty	P11

This instruction manual is suitable for:

Model No.: 52-202-00 (CE/UKCA version) for UK, HK, Malaysia, and Singapore market

Model No.: 52-202-01 (US version) for United States market

Model No.: 52-202-02 (Japan version) for Japan market

## 02 Introduction

Famitec Bold Conical Burr Coffee Grinder provides a uniform grind to your fresh coffee beans and preserves the natural aroma of coffee beans. It can give you a new experience and enjoyable times with optimum favor of coffee.

## 03 Important and Safety Instructions

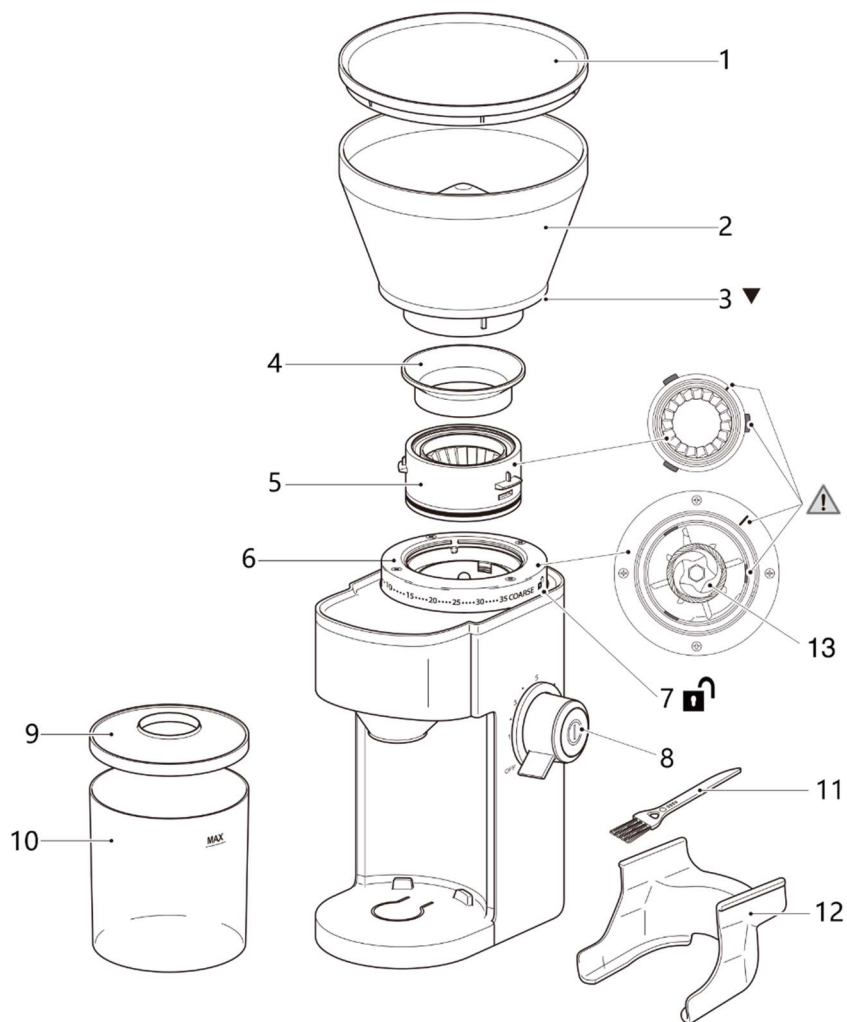
Please read the following instructions before use.

- This appliance is not intended for use by persons (including children) with reduced physical, sensory, or mental capabilities, or lack of experience and knowledge, unless they have been given supervision or instruction concerning use of the appliance by a person responsible for their safety.
- Children should be supervised to ensure that they do not play with the appliance.
- If the supply cord is damaged, it must be replaced by the manufacturer, its service agent, or similarly qualified persons in order to avoid a hazard.
- Switch off the appliance and disconnect from supply before changing accessories or approaching parts that move in use.
- This appliance is intended to be used in household and similar applications such as:
  - staff kitchen areas in shops, offices and other working environments;
  - farm houses;
  - by clients in hotels, motels and other residential type environments;
  - bed and breakfast type environments
- This appliance can be intended for use by persons (including children over 8 years) with reduced physical, sensory, or mental capabilities, or lack of experience and knowledge if they have been given supervision or instruction concerning use of the appliance in a safe way, and understand the hazards involved (for CE/UKCA version).
- Children shall not play with the appliance. Cleaning and user maintenance shall not be made by children without supervision.
- This appliance shall not be used by children. Keep the appliance and its cord out of reach of children.
- Avoid contacting moving parts. Do not attempt to defeat any safety Interlock.
- Do not let cord hang over edge of table or counter.
- Check container for presence of foreign objects before using

- Use this device to grind roasted coffee beans and for household use only.
- Do not use outdoors.
- Do not operate the device without coffee beans.
- Do not grind other substances, such as nuts, spices, liquids or unroasted beans, to avoid damage the grind mechanism & cause poor grinding or injury
- Do not use the other accessories that do not recommended or sold by Famitec, it caused fire, electrical shock, or risk of injury.
- Do not use the device for other than intended use.
- The device cannot be used by children and the cord must be kept away from children.
- Close supervision is necessary when the device is used by or near children.
- Keep the packaging materials away from children to avoid any risk of suffocation.
- The grinding mechanism has very sharp edges. Never put fingers, cutlery, or other objects into the grinding mechanism.
- To protect against risk of electrical shock, do not immerse the device, cord, and plug in water or other liquids.
- Do not connect or disconnect the plug to socket when the hands are wet, or when the device is operating.
- Do not operate the device if the device, cord, or plug are damaged, or after the device malfunctions, or the device has been dropped.
- Remove the plug from the socket when you are not using the device, or before putting on or taking off parts, or before cleaning.
- Do not make any changes, or repair the device, cord, or plug by yourself.
- Do not operate the device unless the removable parts, the grinding mechanism and container are properly in place.
- Do not move the device when it is operating.
- Ensure the container lid should be closed after the bean is filled in the container.
- Place the device on a stable and flat surface, and do not place the device near the heat sources such as burner, heater, heated oven, hobs, heating pipes and so on.
- To avoid the heat generated during the operation and dissipate the aroma of coffee in the container when the device is used several times in succession, or around 3 minutes, let to cool down the device around 30 minutes.
- Do not use the corrosive cleaning detergents, chemical cleaning liquids, or abrasive cleaning tools for cleaning the parts and body of the device.

**SAVE THESE INSTRUCTIONS  
PROPERLY FOR FUTURE REFERENCE**

## 04 Product Description and Part Lists



1. Container Lid
2. Container
3. Indication Symbol
4. Silicon Ring
5. Grinding Mechanism
6. Grinding Level Bar
7. Unlock Symbol
8. Power Button and Time Setting
9. Ground Coffee Chamber Lid
10. Ground Coffee Chamber
11. Cleaning Brush
12. Portafilter Cradle (portafilter is excluded)
13. Conical Burr

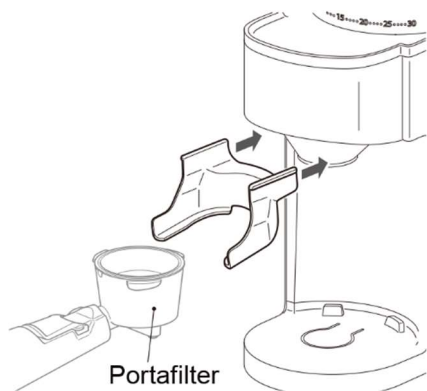
If the parts listed here do not included in the delivery or damaged, please contact with our distributor, or retailer, or shop you purchased the device.

**⚠** Pay attention to the alignment when installing.

## 05 Operating Instructions

- a. Ensure the timer is OFF position.
- b. Ensure the indicating symbol ▼ does not point at unlock symbol ◻. A safety features of the grinder does not allow it to operate unless all parts, the grinding mechanism and container are properly in place.
- c. Remove the container lid and fill coffee beans (250 grams or 8.8 ounces) and closes the lid securely.
- d. Insert the plug into a socket.

- e. Set the grinding level and timer.
- f. Press the Power button to start the operation.
- g. If the coffee beans are grinded completely before the time set, press the Power button to stop the grinder. If the coffee beans are not completely ground after the time stop, press the Power button again to keep the operation.
- h. Do not use the device more than 3 minutes and let it cool down at 30 minutes.
- i. After the grinding completed, remove the chamber, make coffee. Enjoy the coffee time.
- j. If the operation is completed or the device is not use, move the timer to OFF position and then remove the plug from socket.
- k. If you have the espresso machine with portafilter (diameter approx. 60 mm), you can fill the portafilter (instead of chamber) directly with ground coffee. Read the user manual of your espresso machine for capacity of ground coffee and set the timer to position 1 or 2. Please repeat step g if request. This prevents the ground coffee fill over the portafilter.



- l. Make a simple cleaning of device for next use.

## 06 Grinding Level Settings

- Turn indicating symbol ▼ to the selected grinding level from 1 to 35.
- The grinding level is depended on coffee bean, roasting, personal preference, and different brewing methods.
- An ultra-fine grinding is suitable for Espresso machine with portafilter, the suggested grinding level is 1 ~ 5.
- For Espresso maker, a medium fine 5 ~ 15 setting is good.
- For Drip Pour Over, we recommend grinding level from 15 ~ 25.
- A coarse grind level from 25 ~ 35 is recommended for French Press brewing method.

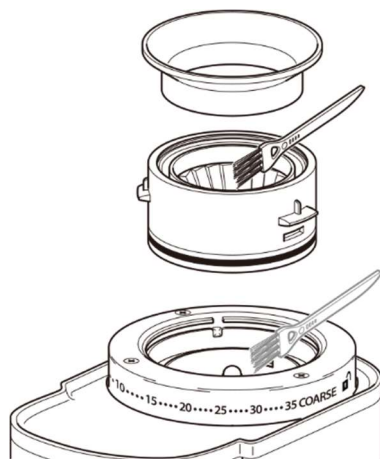
	Super Fine	Fine	Medium	Coarse
Recommended grinding level	1-5	5-15	15-25	25-35
Apply to	 Espresso machine	 Steam brewing coffee pot or coffee machine	 Drip Pour Over	 French press or cold brew

## 07 Timer Settings

- The device is switched off when it is OFF position
- The grinding time is 5 seconds for position 1.
- The step-by-step increase of position 2 to 11, it grinds by 5 seconds each time.
- It grinds around 55 seconds in Position 11.

The specified setting for grinding level and times may differ from coffee beans, and your personal taste, so we recommend that you test different settings to suit your personal taste..

## 08 Cleaning and Maintenance



- The timer must OFF position.
- The plug is removed from the socket before cleaning.
- The device is cool down completely before cleaning
- Store excess cord by wrapping cord around the tabs provided under the base of the device.
- Use a soft cloth with a little washing-up liquid to clean the surfaces. Do not use abrasive brushes and cleaning tools, or hard objects to clean the device.
- Do not clean the surfaces with alcohol, petrol, or corrosive liquids.
- Move the container with indicating symbol ▼ until it is aligned to the unlock symbol □ and remove the container lid and container.
- Remove the silicone ring and remove the grinding mechanism upwards.
- Bean container & lid, ground coffee chamber & lid, portafilter cradle, silicone ring is not suitable for dishwasher, they can be cleaned with warm water and a little washing-up liquid. All removable parts must be completely dry before re-installation.
- Use the cleaning brush to clean the grinding mechanism and grind release areas. The grinding mechanism must not be wet cleaned.

- After the cleaning, install the grinding mechanism, and silicone ring in right position.
- Place the container and ensure the indicating symbol ▼ is aligned with unlock symbol □, and then move the container to any grinding level in order to lock it. If the silicone ring and grinding mechanism do not place properly, the device cannot operate.
- Place the container lid and close it
- Place the chamber and chamber lid back to right position.
- Store the device in a dry and clean area.

## 09 Technical Specifications

Input Voltage (US) Model No : 52-202-01	120VAC, 60Hz
Input Voltage (CE/UKCA) Model No. : 52-202-00	220-240VAC, 50Hz
Input Voltage (Japan) Model No. : 52-202-02	100V~, 50Hz/60Hz
Power Consumption	150W
Grind Mechanism	Burr Conical
Grind Levels	1-35 Levels
Cord Length	1m
Weight	1570g
Container Capacity	250g
Unit Size	195 x 155 x 290mm
Grounds Capacity	12 Cups

### ATTENTION (For US users)

This appliance has a polarized plug (one blade is wider than the other). To reduce the risk of electric shock, this plug is intended to fit into a polarized outlet only one way. If the plug does not fit fully into the outlet, reverse the plug. If it still does not fit, contact a qualified electrician. Do not attempt to modify the plug in any way.

## 10 Warranty

Famitec provide the product warranty services to the original purchaser of this product that this product will be free from defects in material and workmanship under normal use and service for 12 months from date of purchase. We will, at its option, repair or replace with a new or refurbished product. We reserve the right, before having any obligation under this limited warranty, to inspect the product, and all costs of shipping the product for inspection and warranty service shall be borne solely by the purchaser.

For the fastest processing of a warranty claim, the Purchaser should e-mail [info@famitec.com](mailto:info@famitec.com) and include the product name and model #, proof of original purchase, complete contact information, and detailed information about the issue, including pictures when applicable.

The limited warranty is valid only in accordance with the following conditions:

1. The product is purchased directly from Famitec, or an authorized reseller, or distributor.
2. Only the original purchaser is covered by this warranty. This warranty is not transferable.
3. Product is for personal use only. This warranty is void if the product is used in a commercial or institutional establishment.
4. This warranty does not cover normal wear and tear, or damage caused by misuse, abuse, negligence, accident, acts of nature, or unauthorized modification or repair.
5. Purchaser must present acceptable proof of purchase for the product.

### Disposal



When this device has reached the end of its life, please dispose of the device properly. This and other electrical appliance contain valuable materials that can be used recycled. Electronic waste may be harmful to our environment if not disposed of properly.

We ask that you follow your governing agency's rules and regulations when disposing of electronic appliances. Please find an authorized recycling facility near you.

### Contact

If you have any questions or concerns about operation or warranty of this product, please contact our customer service by email [info@famitec.com](mailto:info@famitec.com)

*2022 Famitec Ltd. All rights reserved.*

**FAMITEC™**  
makes your life easier